

BUS AIR CONDITIONING

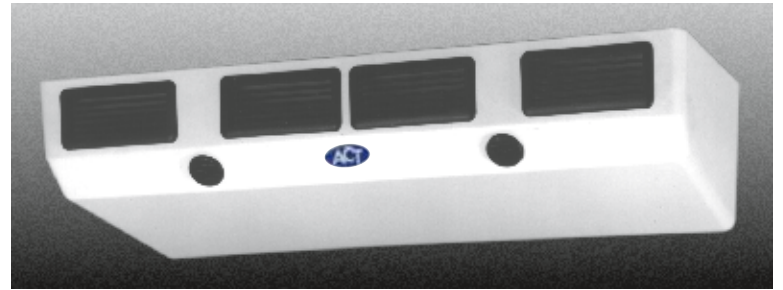
ACT

A PROAIR™ COMPANY

EZ-5 EVAPORATOR

THE A.C.T. **EZ-5** EVAPORATOR IS DESIGNED FOR FREE-BLOW CEILING MOUNT APPLICATIONS. WE HAVE MANUFACTURED THIS EVAPORATOR SPECIFICALLY FOR THE TRANSPORTATION INDUSTRY.

IT'S ENHANCED PERFORMANCE, SERVICEABILITY, AND INSTALLATION EASE ARE THE RESULT OF MANY YEARS' EXPERIENCE IN THIS INDUSTRY.



ADVANCED FEATURES

- Unique Louver Design Enhances Airflow Throughout The Vehicle
- Pressure Switches Located At The Evaporator For Maximum Compressor Protection
- Internally Enhanced Copper Tubing Coils Increases System Performance
- 100% O-Ring Connections For Maximum Leak Protection
- Low Profile Design For Added Headroom
- Unitized Drain Pan Construction Eliminates Condensate Problems

OPTIONS

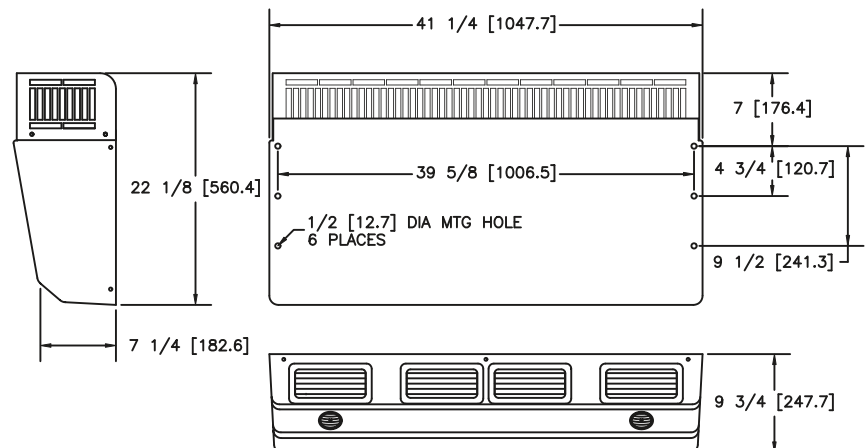
- Adjustable or Fixed Air Outlet Louvers
- 12 Volt or 24 Volt Motors
- Heat Coil
- Grey or White Covers

**3 YEAR
LIMITED WARRANTY**

SPECIFICATIONS

COOLING CAPACITY: up to 60,000 Btu/Hr
AIRFLOW: 1600cfm (2712 m3/hr)
AMPERAGE DRAW: 18 Amps @ 13.5 Volts
9 Amps @ 27 Volts
WEIGHT: 67 lbs.
FILTER: Cleanable Aluminum Mesh

Specifications subject to change without notice.



AMERICAN COOLING TECHNOLOGY, Inc.

www.actusa.us.com

715 Willow Springs Lane, York, PA 17406

Tel: 717.767.2775 ~ Fax: 717.767.3658

Toll Free: 877.228.4247

ACT

A PROAIR™ COMPANY

RELY ON OUR EXPERIENCE TO PROPERLY APPLY YOUR BUS AIR CONDITIONING SYSTEM