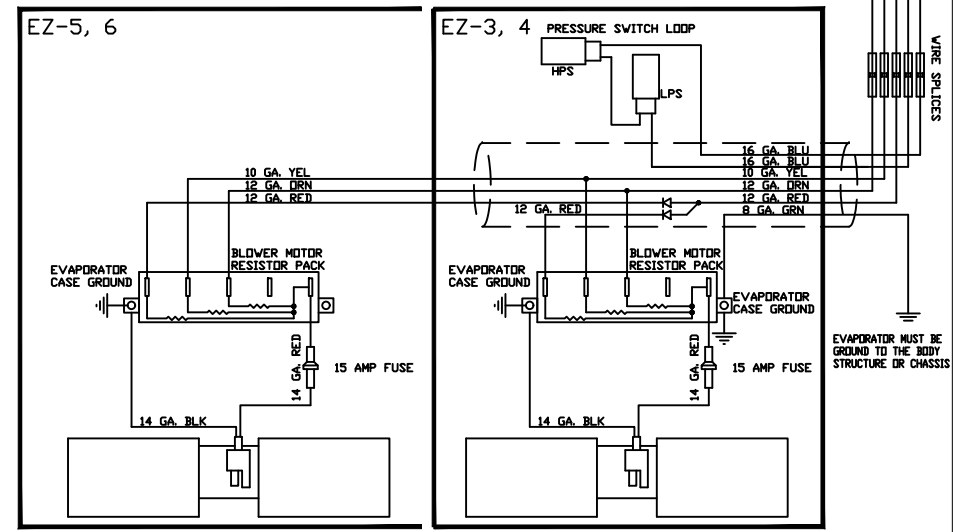
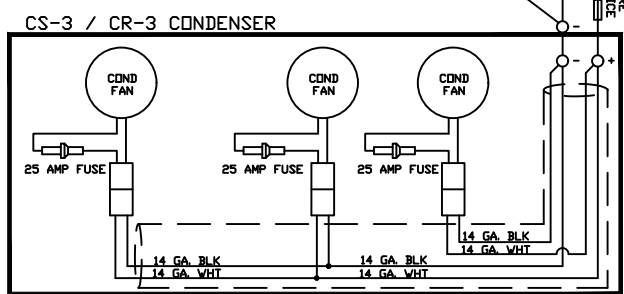
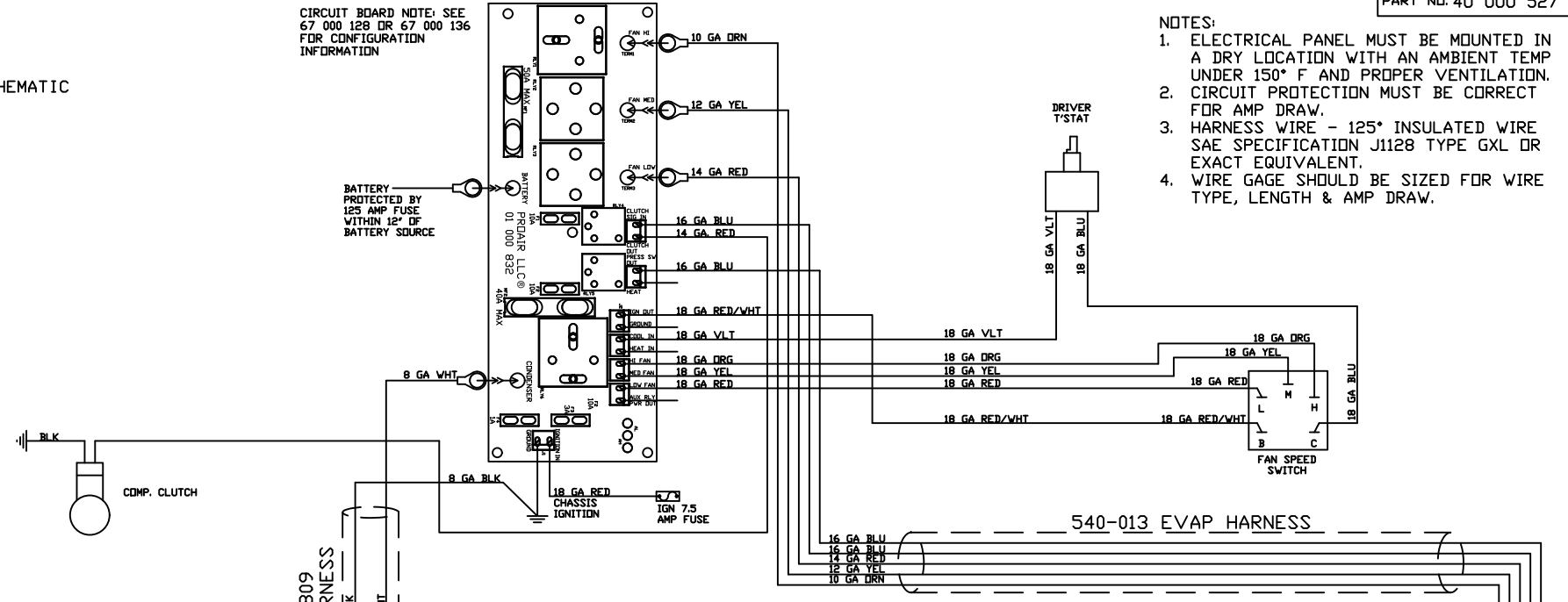


SYSTEM SCHEMATIC

CIRCUIT BOARD NOTE: SEE 67 000 128 OR 67 000 136 FOR CONFIGURATION INFORMATION

- NOTES:
1. ELECTRICAL PANEL MUST BE MOUNTED IN A DRY LOCATION WITH AN AMBIENT TEMP UNDER 150° F AND PROPER VENTILATION.
 2. CIRCUIT PROTECTION MUST BE CORRECT FOR AMP DRAW.
 3. HARNESS WIRE - 125° INSULATED WIRE SAE SPECIFICATION J1128 TYPE GXL OR EXACT EQUIVALENT.
 4. WIRE GAGE SHOULD BE SIZED FOR WIRE TYPE, LENGTH & AMP DRAW.



PROPRIETARY & CONFIDENTIAL. UNPUBLISHED WORK. COPYRIGHT PROTECTED PRO AIR LLC. PRO AIR, LLC CLAIMS PROPRIETARY RIGHTS IN THE MATERIAL DISCLOSED HEREON. NEITHER THIS DRAWING NOR ANY REPRODUCTION OR PORTION THEREOF MAY BE DISTRIBUTED OR USED TO MANUFACTURE ANYTHING SHOWN HEREON WITHOUT PERMISSION IN WRITING FROM PROAIR, LLC.

LET.	NO.	REVISION	BY	DATE	SIGNATURES	DATE	TITLE	USAGE	PART NO.	SCALE	SIZE	SHEET	OF	
D	17-144	EVAP AND COND UPDATE	CEB	6/5/17	DRAWN	DAS	1/14/15		ACT 35, 40, 50, HD	40 000 527	1" = 1' - 0"	A	1	1
C	16-242	EVAP UPDATE	CEB	8/22/16	CHECKED	RA	6/5/17							
B	16-045	UPDATE BOARD	CEB	2/18/16										
A	15-041	RELEASED TO PRODUCTION	MRM	11/24/15										

